

# PS600 Pool CS-17-1

## Solar Surface Pump System

### System Overview

Head	max. 12 m
Flow rate	max. 18 m³/h

### Technical Data

#### Controller PS600 Pool

- Control inputs for dry running protection, remote control etc.
- Protected against reverse polarity, overload and overtemperature
- Integrated MPPT (Maximum Power Point Tracking)
- Battery operation: Integrated low voltage disconnect

Power	max. 0,64 kW
Input voltage	max. 150 V
Optimum Vmp*	> 68 V
Motor current	max. 13 A
Efficiency	max. 98 %
Ambient temp.	-30...50 °C
Enclosure class	IP54

#### Motor ECDRIVE 600 CS-17

- Maintenance-free brushless DC motor
- Premium materials, stainless steel: AL/AISI 304
- No electronics in the motor

Rated power	0,70 kW
Efficiency	max. 92 %
Motor speed	900...3.300 rpm
Insulation class	F
Enclosure class	IPX4

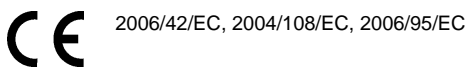
#### Pump End PE CS-17-1

- Premium materials: PP

#### Pump Unit PU CS-17-1 (Motor, Pump End)

Water temperature	max. 60 °C
Suction head	max. 3 m

### Standards



2006/42/EC, 2004/108/EC, 2006/95/EC

IEC/EN 61702:1995,  
IEC/EN 62253 Ed.1

The logos shown reflect the approvals that have been granted for this product family. Products are ordered and supplied with the approvals specific to the market requirements.

\*Vmp: MPP-voltage under Standard Test Conditions (STC): 1000 W/m² solar irradiance, 25 °C cell temperature

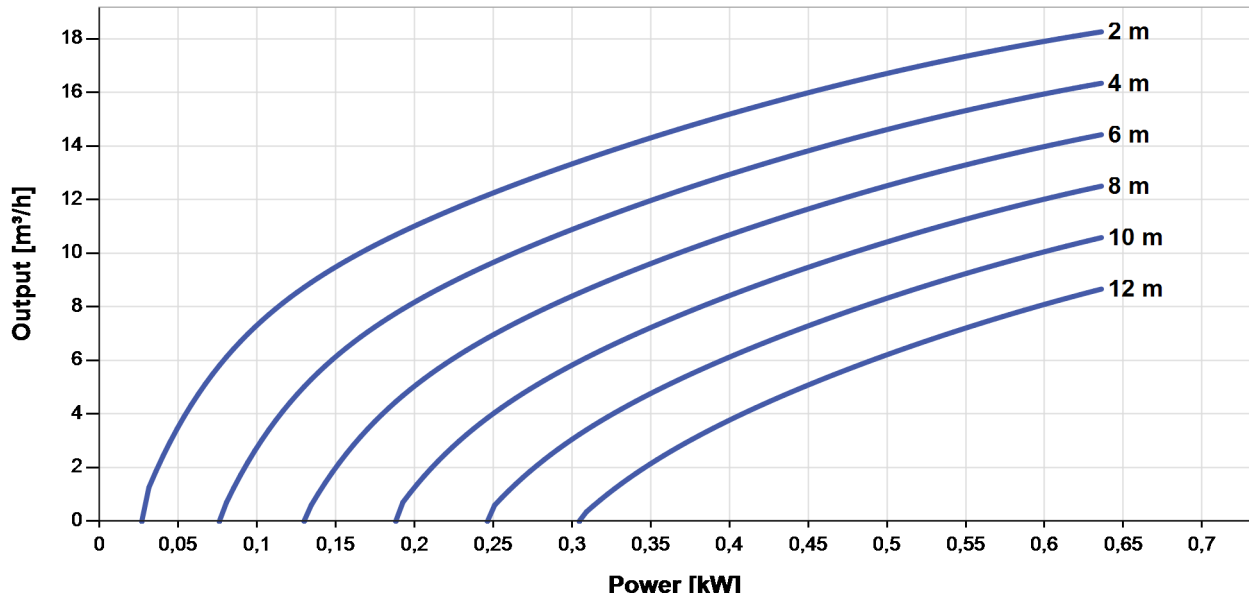


# PS600 Pool CS-17-1

## Solar Surface Pump System

### Pump Chart

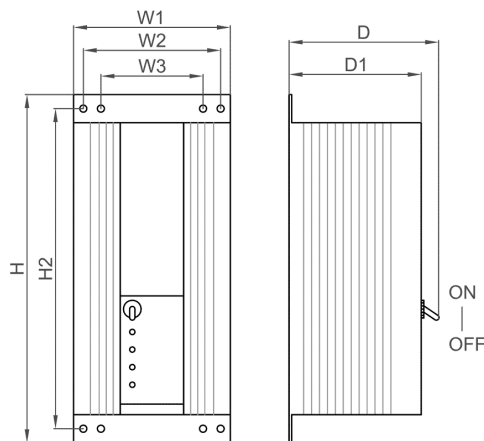
Vmp\* > 68 V



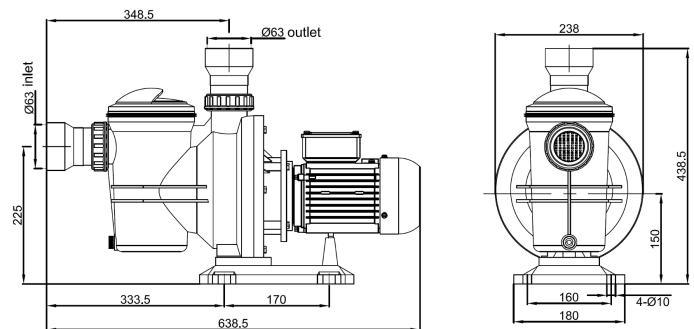
### Dimensions and Weights

#### Controller

- H = 396 mm
- H2 = 364 mm
- W1 = 178 mm
- W2 = 156 mm
- W3 = 116 mm
- D = 165 mm
- D1 = 150 mm



#### Pump Unit [mm]



	Net weight
Controller	4,5 kg
Pump Unit	8,7 kg
Motor	7,0 kg
Pump End	1,7 kg

\*Vmp: MPP-voltage under Standard Test Conditions (STC): 1000 W/m² solar irradiance, 25 °C cell temperature

